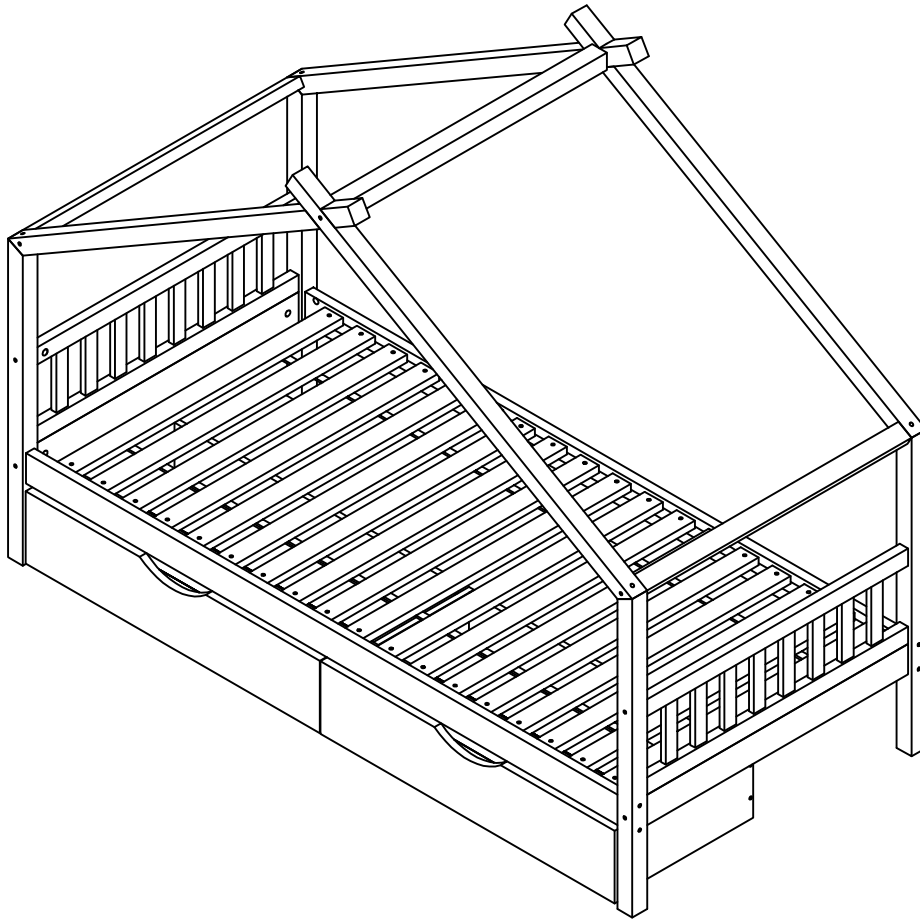
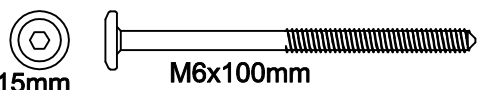

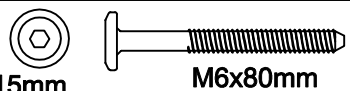
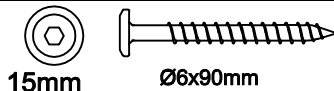

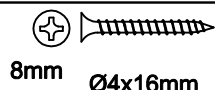



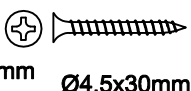

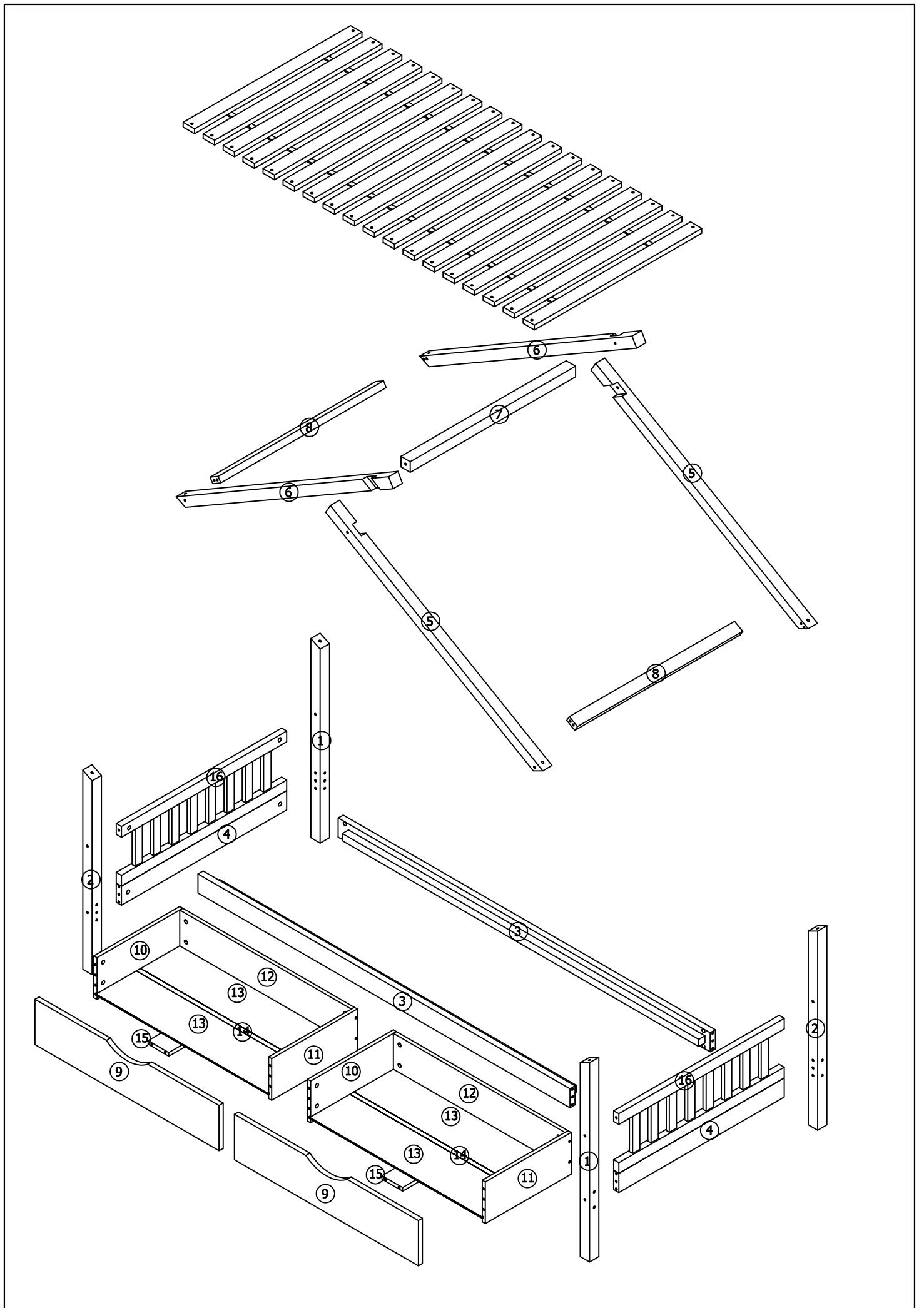


ELISIA

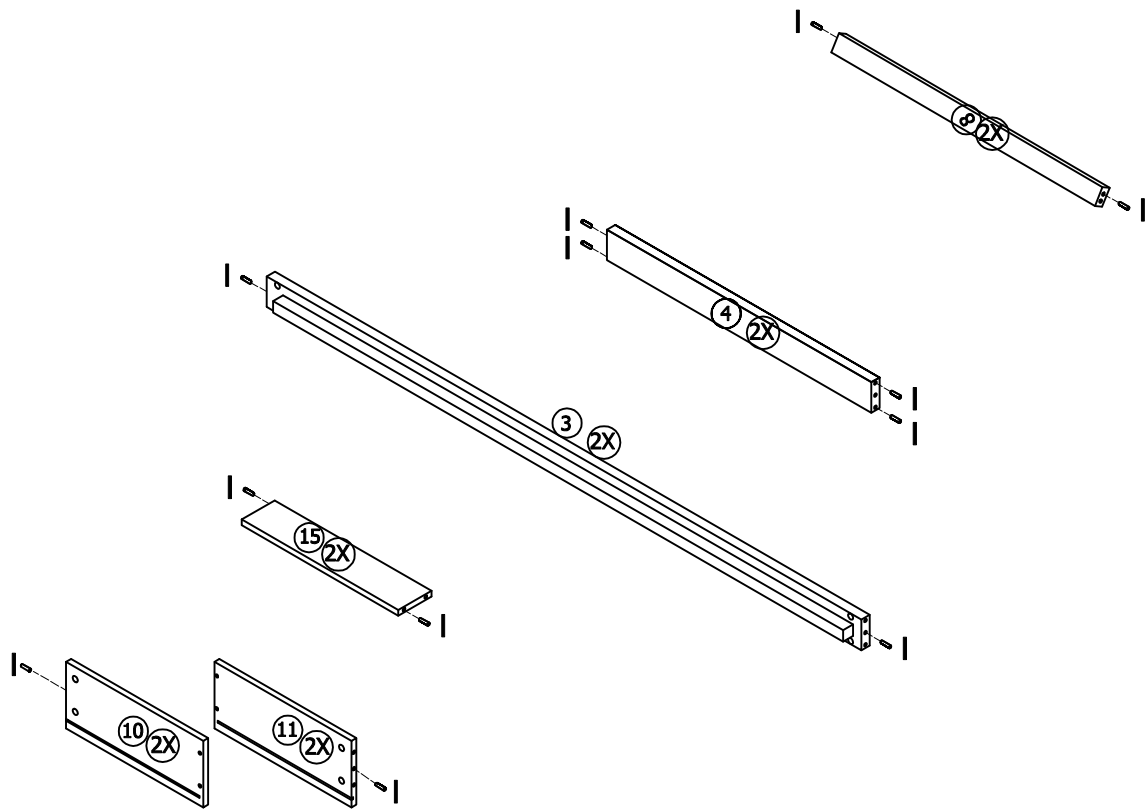



A	 15mm M6x100mm	08
B		20
C	 15mm M6x80mm	12
D	 15mm Ø6x90mm	06
E	 E1 E2	12
F	 8mm Ø4x16mm	16

G	 Ø15mm	16
H		08
I	 Ø8x30mm	24
J	 8mm Ø4.5x30mm	44
K		01

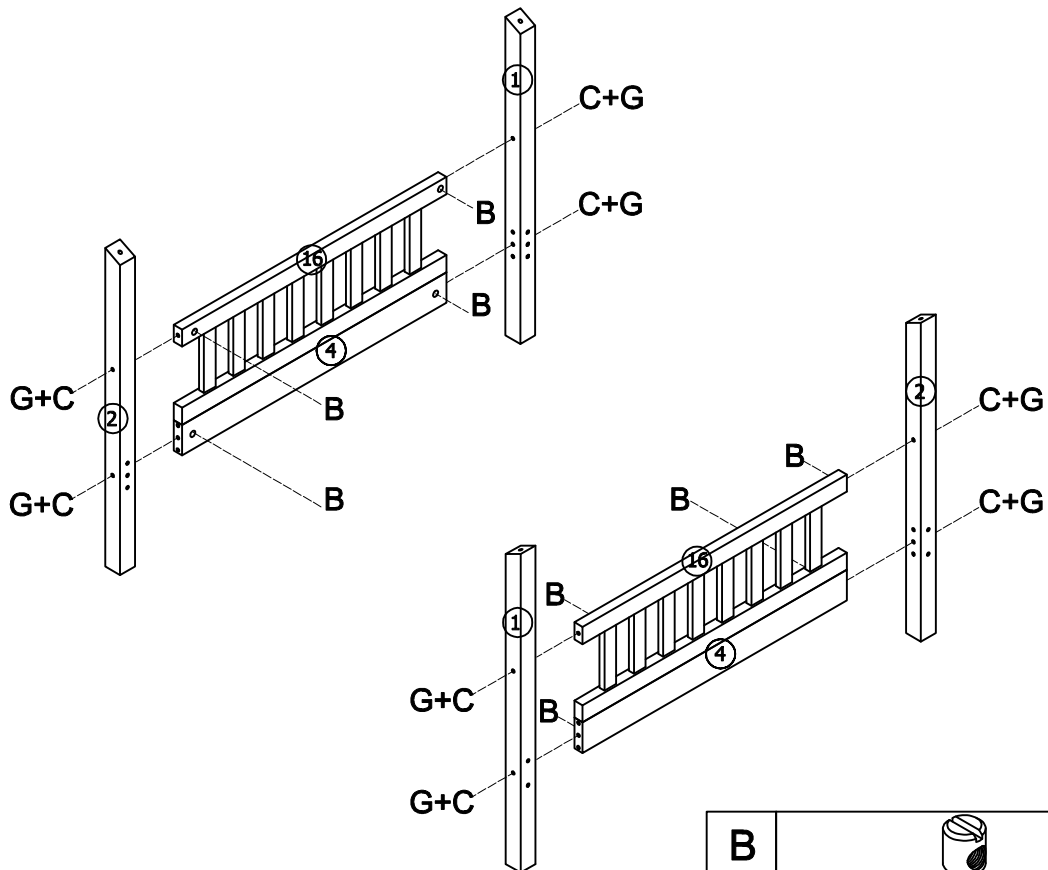



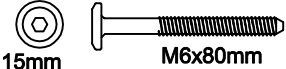

01



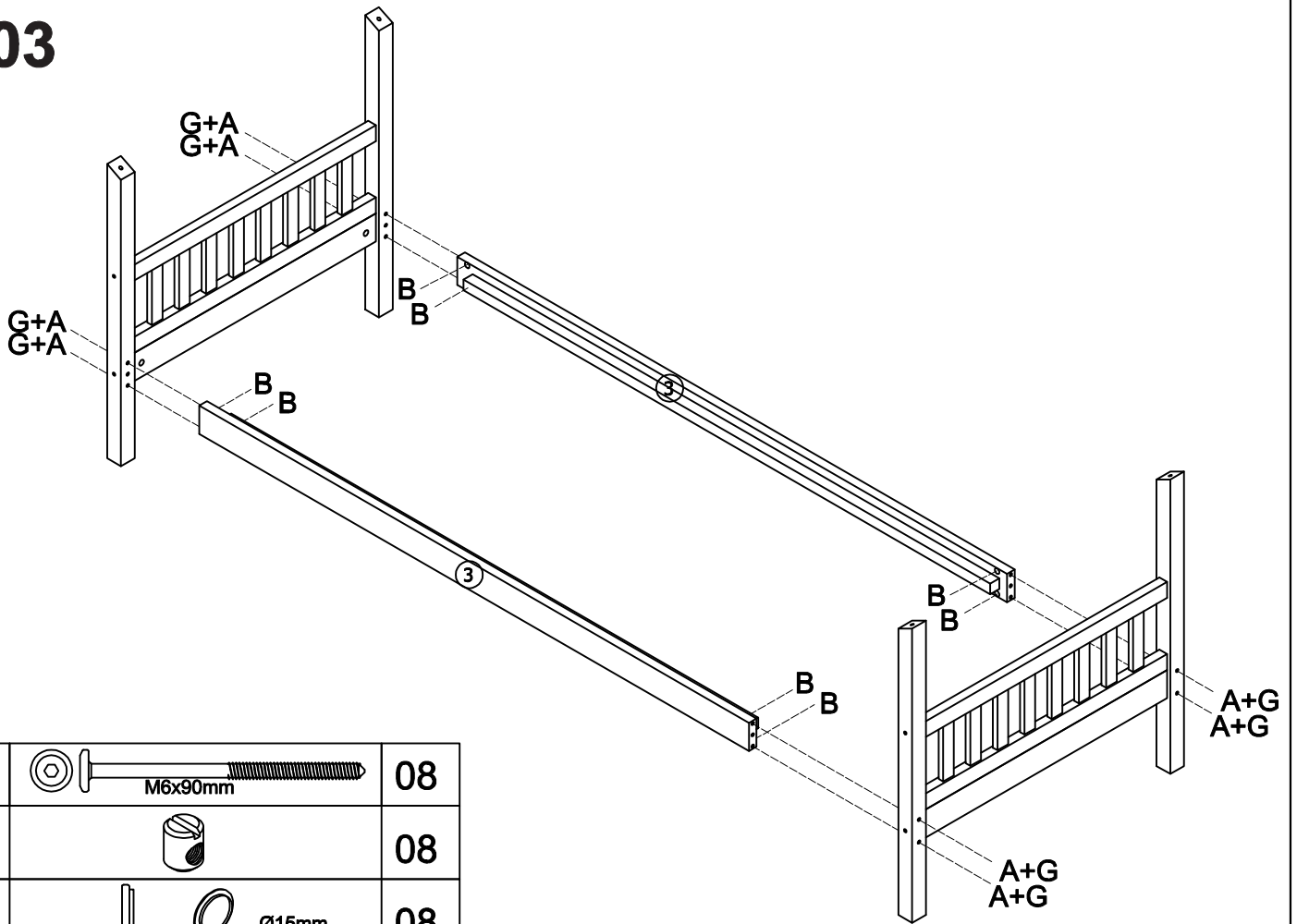
I	 Ø8x30mm	24
---	--	----





02



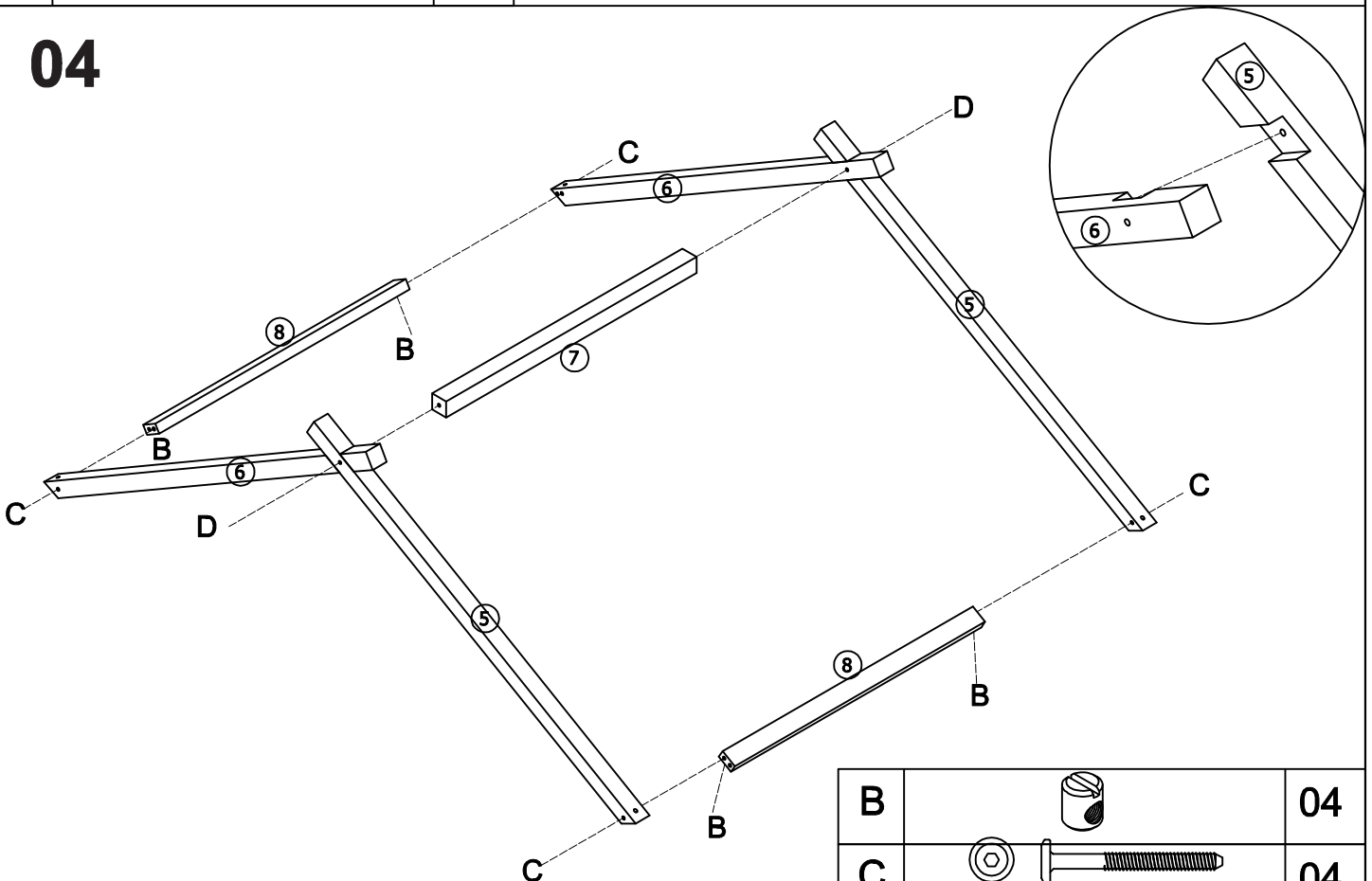
B		08
C	 15mm M6x80mm	08
G	 Ø15mm	08



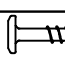
03



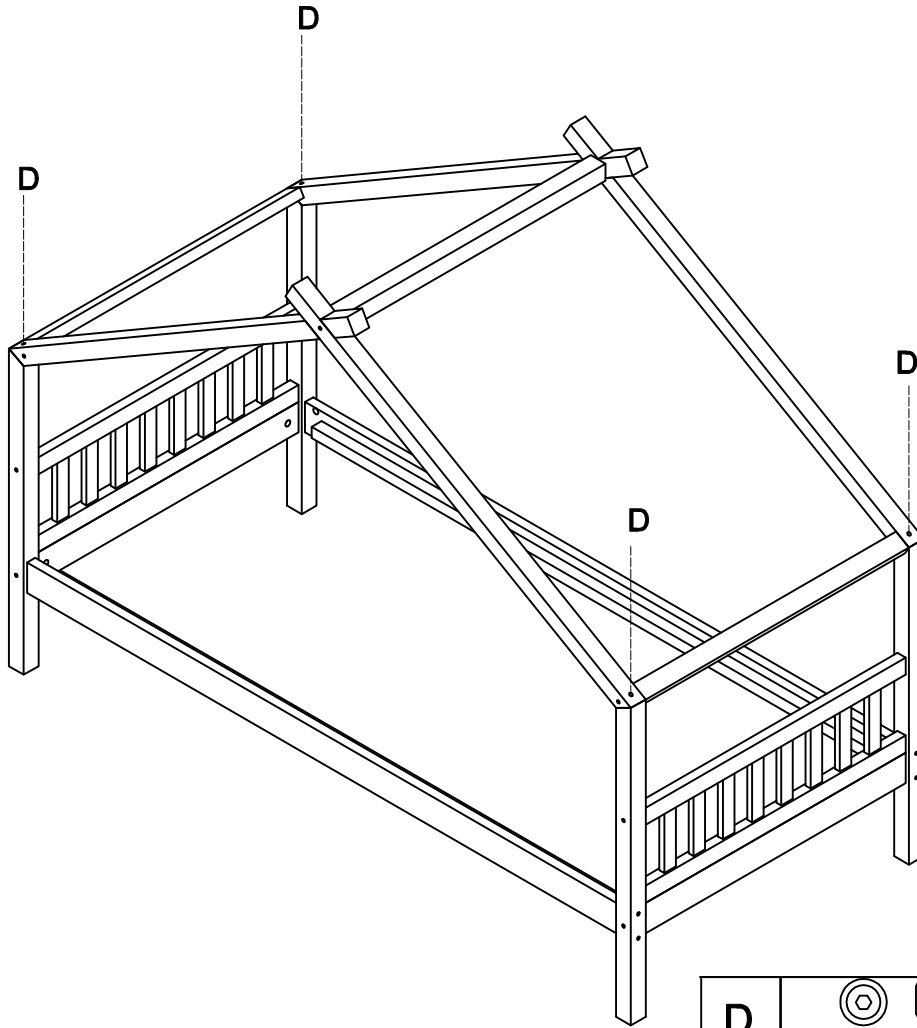
A	 M6x90mm	08
B		08
G	  Ø15mm	08


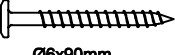
04



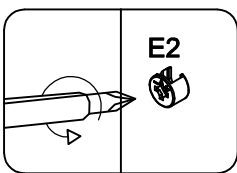
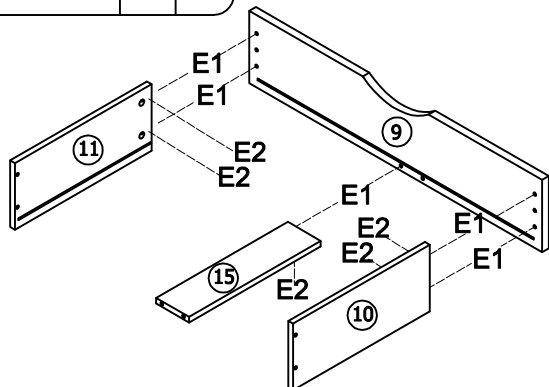
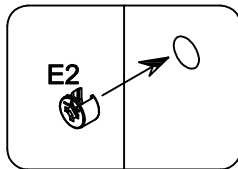
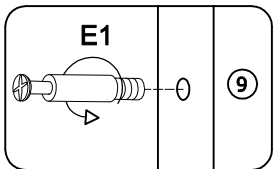
B		04
C	 15mm M6x80mm	04
D	 15mm Ø6x90mm	02



05



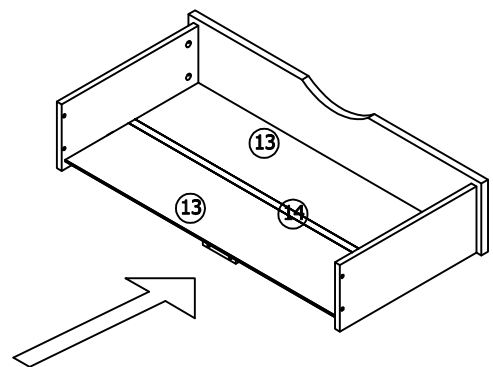
D			04
	15mm	Ø6x90mm	

06

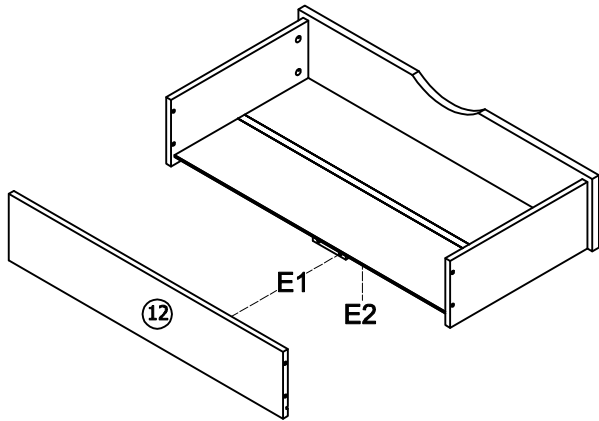


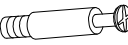

E			10
	E1	E2	

07

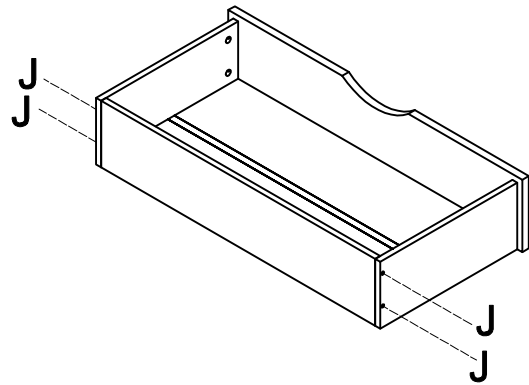


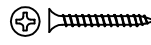
08



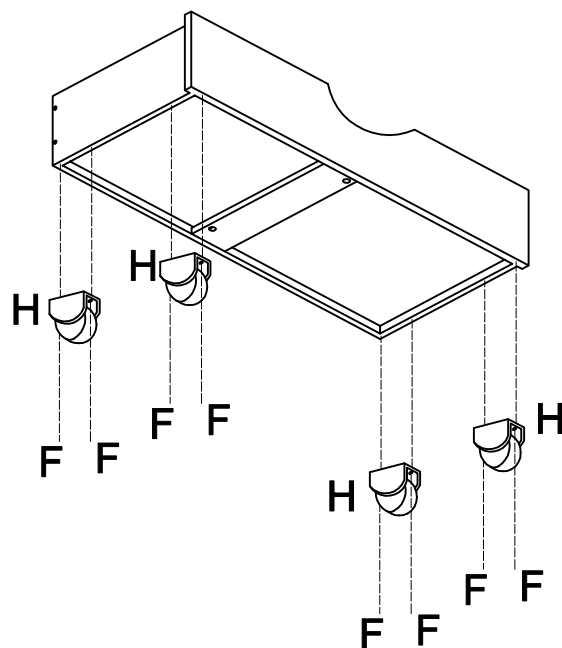
E	 E1	 E2	02
---	---	---	----

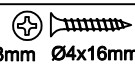

09



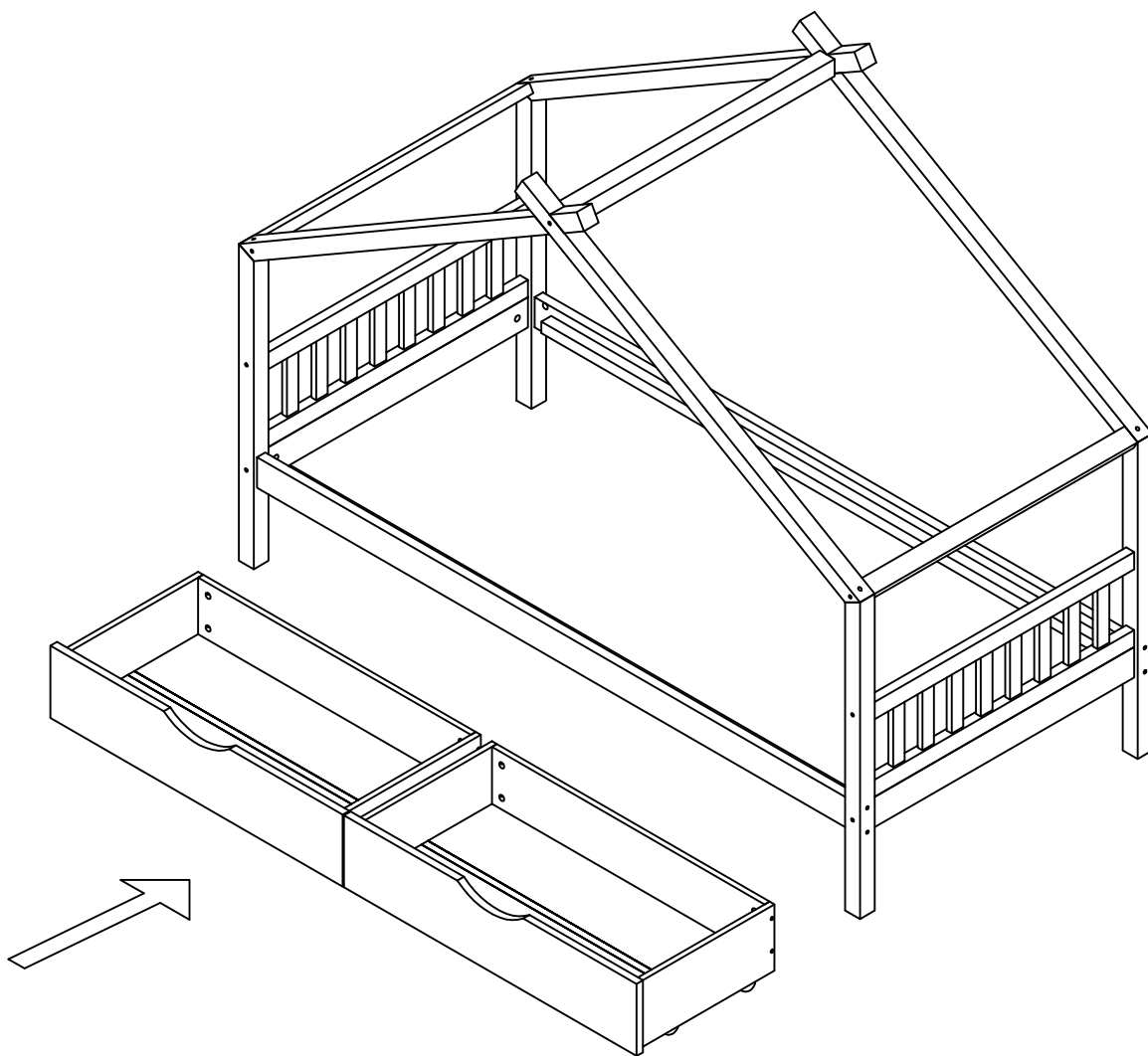
J	 8mm Ø4.5x30mm	08
---	--	----

10

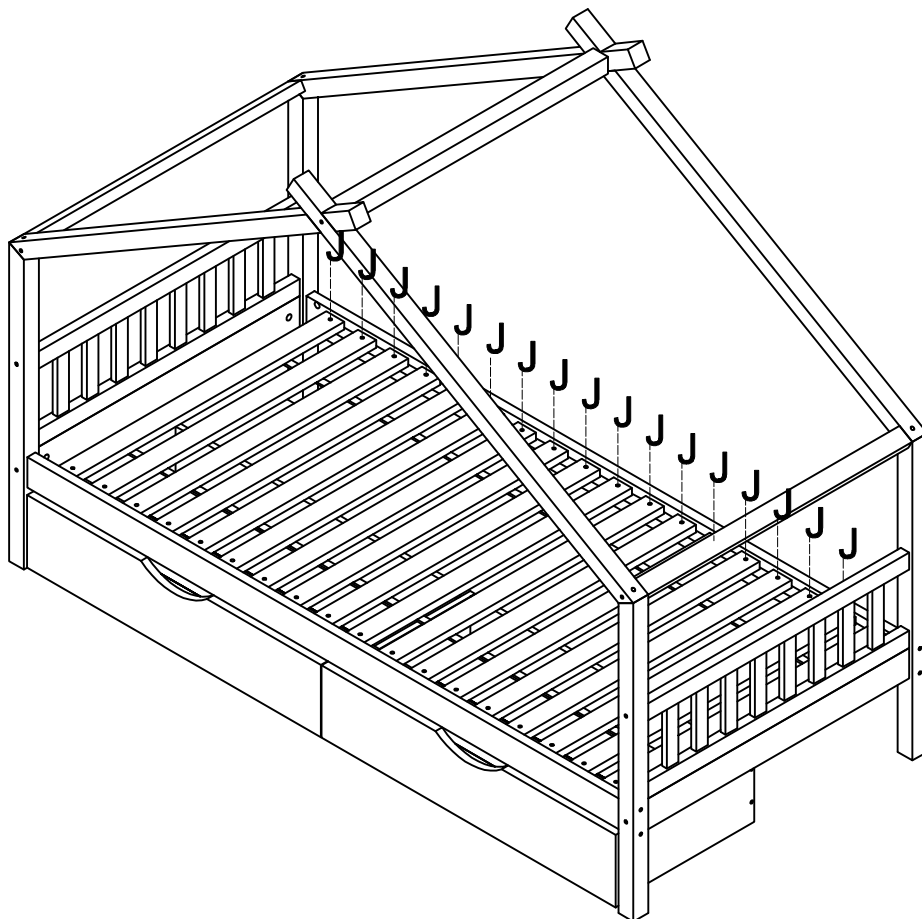


F	 8mm Ø4x16mm	16
H		08

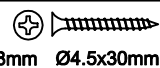
11



12



J



8mm Ø4.5x30mm

36